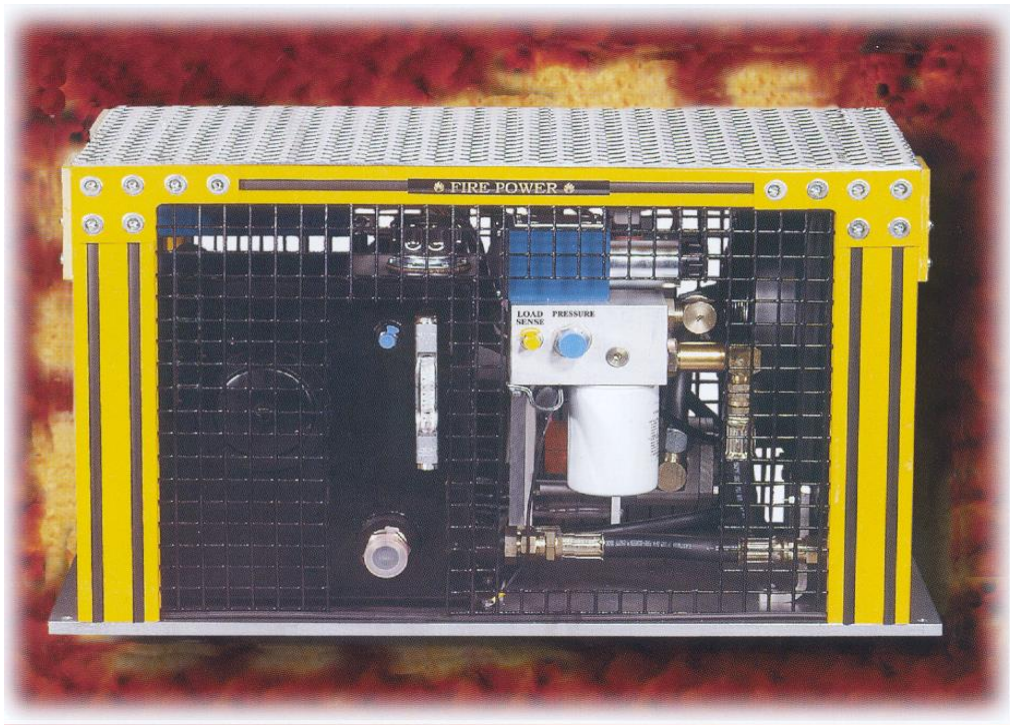


***FIRE-POWER***  
***20 KW SELF-CONTAINED***  
***HYDRAULICALLY DRIVEN ELECTRIC***  
***POWER GENERATOR SYSTEM***

***INSTRUCTION MANUAL***



***ANOTHER FINE PRODUCT BY***  
***FABCO GENERATORS INC.***  
***CHESTER, NY 10918***

***VOICE (845)-469-9151***

***FAX (845)-469-7871***

***WEB SITE: [www.fabcopower.com](http://www.fabcopower.com)***

***e-mail: [mail@fabcopower.com](mailto:mail@fabcopower.com)***

## **CAUTION**

**DO NOT** MOUNT OR ATTACH ANY EQUIPMENT ON TOP OR SIDES OF OUR GENERATOR ENCLOSURE.

**DO NOT** INSTALL RADIO ANTENNAS WITHIN A MINIMUM OF EIGHT FEET FROM OUR GENERATOR SYSTEM. WE RECOMMEND TEN FEET FROM OUR GENERATOR.

LOW AND HIGH BAND RADIO FREQUENCIES TRANSMITTED FROM ANTENNAS LOCATED AT A DISTANCE OF UNDER EIGHT FEET FROM OUR GENERATOR CONTROL CAN INTERFERE WITH THE GENERATORS OPERATION.

# Fire Power

## ***GENERAL SAFETY PRECAUTIONS***

### **GENERATOR VOLTAGE CAN BE DEADLY**

GENERATOR ELECTRICAL CONNECTIONS MUST BE MADE BY A TRAINED ELECTRICIAN IN ACCORDANCE WITH APPLICABLE CODES.

USE EXTREME CAUTION WHEN WORKING ON LIVE ELECTRICAL EQUIPMENT. REMOVE JEWELRY, MAKE SURE HANDS, CLOTHING AND SHOES ARE DRY AND USE TOOLS WITH INSULATING HANDLES.

### **WET CELL BATTERIES CAN CAUSE SEVERE INJURY**

THEY CAN EXPLODE! DO NOT SMOKE WHILE WORKING NEAR WET CELL BATTERIES. WEAR SAFETY GLASSES.

BATTERY ACID CAN CAUSE BLINDNESS AND SEVERE SKIN DAMAGE. BATTERY GASSES CAN CAUSE EYE AND LUNG DAMAGE.

TO REDUCE SPARKS WHEN DISCONNECTING OR RECONNECTION BATTERY CABLES ALWAYS DISCONNECT THE NEGATIVE (-) CABLE FIRST AND CONNECT IT LAST.

### **MOVING PARTS CAN BE DEADLY**

KEEP HANDS AWAY FROM MOVING PARTS. DO NOT WEAR LOOSE CLOTHING OR JEWELRY NEAR MOVING PARTS SUCH AS FANS, PTO'S, BELTS OR ANY OTHER MOVING PARTS.

KEEP ALL GUARDS IN PLACE OVER BELTS, COUPLINGS, PULLEYS AND ALL OTHER MOVING PARTS.

### **HIGH PRESSURE HYDRAULIC FLUID CAN CAUSE SEVERE INJURY**

ALWAYS SHUT DOWN THE PRIME MOVER OF THE HYDRAULIC PUMP BEFORE WORKING ON FITTINGS.

HIGH PRESSURE SPRAY FROM A LEAK OR BROKEN HOSE CAN CAUSE BLINDNESS, WEAR SAFETY GLASSES. IF HOT, HIGH PRESSURE HYDRAULIC FLUID PENETRATES THE SKIN IT COULD CAUSE BLOOD POISONING. GET PROPER MEDICAL ATTENTION ASAP.

# **FIRE-POWER OWNERS MANUAL**

## **TABLE OF CONTENTS**

**SECTION # 1** INTRODUCTION  
SPECIFICATIONS AND  
WARRANTY

**SECTION # 2** HYDRAULIC PUMP, DRAWINGS,  
FITTINGS, HOSES AND  
PRESSURE REQUIREMENTS

**SECTION # 3** AC AND DC ELECTRICAL HOOK-UP  
AND WIRING DIAGRAMS

**SECTION # 4** MECHANICAL DRAWINGS, MOUNTING TEMPLATE  
INSTALLATION AND START-UP

**SECTION # 5** MAINTENANCE, TROUBLE SHOOTING,  
MAINTENANCE LOG & TEST REPORTS

# **SECTION # 1**

**INTRODUCTION  
SPECIFICATIONS  
WARRANTY**

## **INTRODUCTION**

### ***FIRE-POWER SELF-CONTAINED HYDRAULICALLY DRIVEN, ELECTRONICALLY CONTROLLED, ELECTRIC POWER GENERATOR***

The ***FIRE-POWER system*** was developed for the fire and rescue industry because of the need for safe, reliable and precise electric power. This is essential as electric powered rescue equipment is becoming more sophisticated. The ***FIRE-POWER*** system is reliable, safe, maintenance free, quiet and environmentally friendly.

Fire engines idle speed is about 750 RPM and when pumping water the idle is electrically or mechanically set at between 1000 to 2000 RPM. The ***FIRE-POWER system*** can deliver continuous, precisely regulated electric power at engine speeds that vary from 750 RPM to over 2,200 RPM, or from zero to over fifty five miles per hour, on any vehicle with a power take off (PTO) on the transmission. The ***FIRE-POWER system*** has many other applications that specify continuous, precisely regulated electric portable power.

The ***FIRE-POWER system*** is a completely self-contained vehicle mounted electric power generating package that produces and maintains a constant 120/240 volts at 60 HZ. The system is easy to install, (it takes the guesswork out of the installation), follow the simple step by step instructions contained on the following pages, (***NO ADJUSTMENTS TO THE SYSTEM ARE REQUIRED***).

***The FIRE-POWER system*** includes a factory tested and calibrated PTO mounted hydraulic pump, panel mounted start-stop switch, voltage regulator, oil tank, temperature-controlled oil cooler and a unique Electro-Mechanical speed and frequency control network, all in one complete compact package. The unique Electro-Mechanical control system incorporates an automatic soft start from zero to 60 HZ in 20 seconds, and a soft stop from 60 HZ to zero in 10 seconds. This protects all of the component parts in the system from damage due to high torque and mechanical shock in non-accelerated starts and non-decelerated stops. Soft starts and stops increases the life of all the systems component parts. The acceleration and deceleration is essential in extreme hot or cold weather operation.

The ***FIRE POWER system*** comes complete with a panel mounted digital meter displaying voltage, frequency, double line ammeter, elapsed time, oil temperature and a high oil temp alarm. The frequency and voltage regulation is constant with no deviation from zero percent to 100% load, or from engine idle to 2,100 RPM. The ***FIRE POWER system*** far exceeds the NFPA specifications.

The ***FIRE POWER system*** can run the most sophisticated electric powered devices including high tech electronic computers, communication, and rescue and test equipment.

**FIRE POWER SELF CONTAINED HYDRAULIC DRIVEN  
GENERATOR SAMPLE SPEC  
7.5, 10, 12, 14, 20KW SINGLE PHASE MODELS  
AND 15 KW THREE PHASE MODELS**

1. THE FABCO POWER SELF-CONTAINED GENERATOR MEETS ALL THE REQUIREMENTS DEFINED IN NFPA SPEC, 1901 CHAPTER 19-14.5.
2. THE PRIME MOVER FOR THE HYDRAULIC PUMP SUPPLIED IS PTO DRIVEN FROM THE TRUCKS TRANSMISSION.
3. THE GENERATOR SYSTEM IS SUPPLIED WITH THE FOLLOWING.  
A FACTORY CALIBRATED PISTON HYDRAULIC LOAD SENSING PUMP.  
A BASE CONTAINING, OIL RESERVOIR WITH AN OIL TEMPERATURE AND LEVEL INDICATOR. ALL HYDRAULIC FITTINGS AND HOSES ARE SAE AND JIC TO AVOID LEAKS. HYDRAULIC MOTOR, PRE WIRED GENERATOR WITH 15 FOOT OF WATERTIGHT POWER CABLE. OIL COOLER WITH 12 VDC FAN, ELECTRONIC HYDRAULIC CONTROL VALVE, ELECTRONIC VOLTAGE AND FREQUENCY CONTROLLER WITH A 20 SECOND START RAMP FROM 0 TO 60HZ. REMOTE START STOP SWITCH WITH 15 FOOT OF CABLE, DIGITAL REMOTELY MOUNTED FREQUENCY, VOLT, TWO LINE AMP, ELAPSED TIME, OIL TEMPERATURE DISPLAY INCLUDING A HIGH OIL TEMPERATURE ALARM.
4. NO START-UP OR OPERATIONAL ADJUSTMENTS ARE REQUIRED.



## HYDRO 20 KSC

<b>KW</b>	<b>20</b>
<b>AMPS</b>	<b>167/84</b>
<b>VOLTS</b>	<b>120/240</b>
<b>GPM</b>	<b>21</b>
<b>PSI</b>	<b>3000</b>
<b>DIMENSIONS</b>	<b>39 ½" L X 20"W X 21"H</b>
<b>WEIGHT</b>	<b>325 Lbs.</b>
<b>PUMP</b>	<b>71cc</b>



**FIRE POWER LIMITED LIFETIME WARRANTY**  
**FABCO GENERATORS INC. WARRANTY TERMS**

***EACH FIRE-POWER SELF CONTAINED HYDRAULIC GENERATOR SYSTEM IS WARRANTED TO THE ORIGINAL OWNER TO BE FREE FROM DEFECTS IN MATERIAL OR WORKMANSHIP UNDER NORMAL USE AND SERVICE FOR LIFE.***

***The warranty is valid only on the original equipment the FIRE-POWER SYSTEM is initially installed on, (FROM THE DATE OF THE INSTALLATION).***

***This warranty will be void on any component parts that show evidence of misapplications, improper installation, abuse, lack of ventilation, improper maintenance, contaminants in the hydraulics, or any alterations from Fabco's Original design. This warranty will be void on any and all component parts that are damaged as a result accidents or acts of God.***

***This warranty is only applicable to all component parts supplied by Fabco Generators inc. This warranty will be void if damage is due to the FIRE-POWER SYSTEM as a result of broken external hoses or fittings that can cause leaks and damage the hydraulic pump, motor or any other component parts. This warranty will be void if any external electrical connections are improper causing shorts that damage any electrical components in the FIRE-POWER electrical system.***

***No other company, corporation or person is authorized to give any other warranties or to assume any other liabilities on behalf of FABCO GENERATORS INC. Liability for any defective component parts on the FIRE-POWER system is limited to repair or replacement by FABCO GENERATORS INC. at its option.***

***Under no circumstances will FABCO GENERATORS INC. be responsible for accidental, incidental or consequential damages arising from, or in conjunction with the use of any FIRE-POWER electric generator system.***

***Warranty Card must be completed and returned within 90 days of installation or warranty may be void.***

## **WARRANTY PROCEDURE**

### **WARRANTY PAPER TRAIL:**

- 1. CALL FABCO POWER WITH UNIT SERIAL NUMBER.**
- 2. GIVE FABCO THE OPPORTUNITY TO TROUBLE SHOOT OVER THE PHONE.**
- 3. IF FABCO CAN'T FIX IT OVER THE PHONE, FABCO WILL SEND A FIELD SERVICE PERSON OR ISSUE A RETURN GOODS AUTHORIZATION NUMBER (RGA) TO SHIP THE UNIT BACK TO FABCO, FREIGHT PRE-PAID.**
- 4. FABCO WILL THEN INSPECT THE UNIT OR PART AND DECIDE WHETHER IT IS UNDER WARRANTY OR NOT**
- 5. IF THE PROBLEM IS NOT A WARRANTY ITEM THEN FABCO WILL BILL YOU FOR SHIPPING AND REPAIR CHARGES. FABCO WILL INCLUDE A REPORT DETAILING WHAT WAS FOUND, AND HOW TO PREVENT IT FROM HAPPENING IN THE FUTURE.**

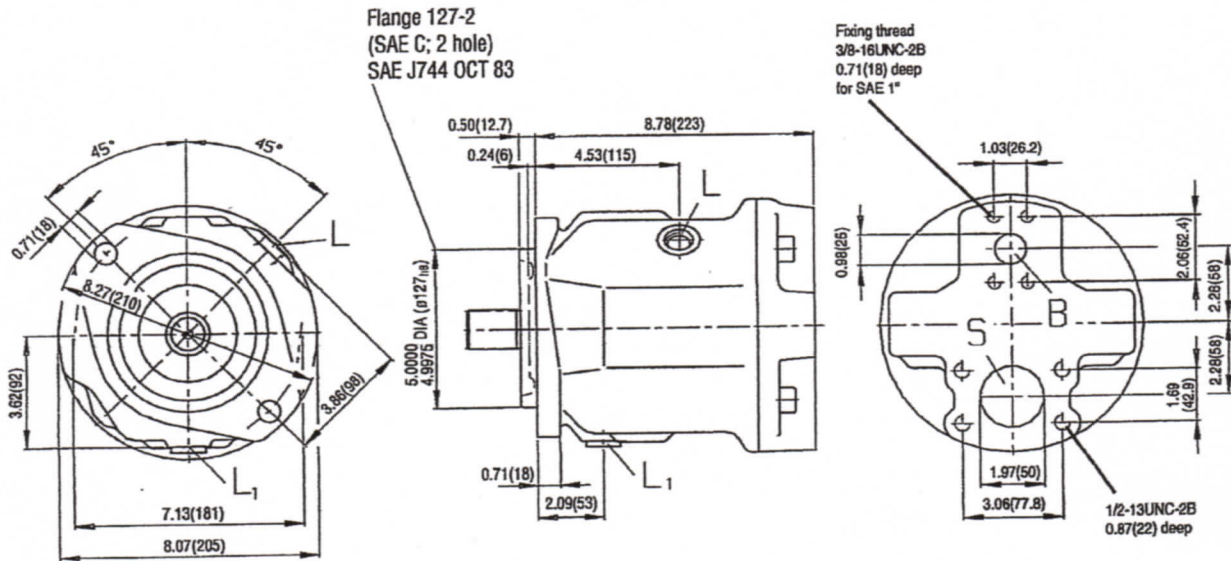
## **SECTION # 2**

# **HYDRAULIC PUMP, DRAWINGS, FITTINGS, HOSE SIZES AND PRESSURE REQUIREMENTS**

Variable displacement pump A10VO, Series 31

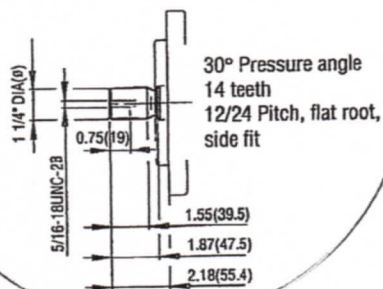
**Unit dimensions, size 71**

Service ports at rear, no through drive; model 91 N00 without considering control

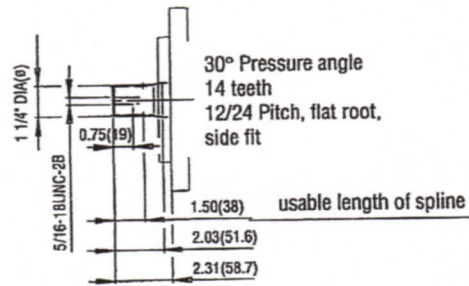


RIGHT ROTATION

**Drive shaft S**  
32-4; (SAE C)  
SAE J744 OCT 83



**Drive shaft R**  
32-4; (SAE C) Modified  
SAE J744 OCT 83.



**CAUTION!!**

Pressure port B with one port size option!  
1.) Port size 1" SAE, standard pressure series (Code 61) 5000 psi, for pressures higher 3600 psi (250 bar)

**For both, operating pressures higher 3600 psi (250 bar) and new applications 1" SAE pressure flange must be used!**

**Port connections**

B	Pressure port	1" SAE	(standard pressure series)
S	Suction port	2" SAE	(standard pressure series)
L	Case drain port	7/8-14 UNF-2B	
L <sub>1</sub>	Case drain port	7/8-14 UNF-2B	(sealed in factory)

**TECHNICAL INFORMATION REQUIRED TO KNOW BEFORE  
ORDERING A POWER TAKE OFF (PTO), FOR A FABCO POWER,  
20 KW SINGLE PHASE  
FIRE-POWER SELF CONTAINED GENERATOR SYSTEM**

1. DOES THE TRUCK EXIST OR IS IT BEING SPECKED?
2. LOCATE THE TRANSMISSIONS MAKE AND MODEL NUMBER IF AVAILABLE.
3. CONTACT THE TRUCK BODY BUILDER OR THE TRANSMISSION MANUFACTURER FOR AN EXISTING OR A TRUCK BEING SPECED.
4. SEND THEM THE SPECIFICATIONS FOR OUR 71 CC PUMP USED ON OUR 20 KW GENERATOR. (FABCO POWER WILL SUPPLY YOU WITH THE COMPLETE PUMP SPEC SHEET INCLUDING THE HORSE POWER AND TORQUE REQUIREMENT CURVES).
5. THE ROTATION OF OUR STOCK PUMP IS CLOCK WISE OR (RR) THE PTO SHOULD BE COUNTER CLOCK WISE OR (LR). IN SOME CASES THE PTO ROTATION IS (CW) IF SO A (LR) PUMP MUST BE USED.
6. DOES THE GENERATOR HAVE TO DELIVER FULL POWER (KW) AT IDLE, IF SO WHAT IS THE ENGINES IDLE SPEED? IF NOT USE THE ENGINES FAST IDLE SPEED TO CALCULATE THE PUMPS SPEED.
7. WHAT IS THE RATIO OF THE PTO TO ENGINE SPEED? WE RECOMMEND A 1.5 TO ONE.
8. EXAMPLE ENGINE IDLE = 750 RPM X 1.5 = A PTO SPEED OF 1125 RPM. 1125 RPM IS THE MINIMUM SPEED OF OUR 71cc PUMP REQUIRED TO DELIVER ½ LOAD, 10KW AT TRUCK IDLE SPEED. THE PUMPS MAXIMUM SPEED **IS 3000-RPM OR ABOUT 2000 ENGINE RPM.** THE PTO SHOULD BE EQUIPPED WITH AN OVER SPEED CUT OUT DEVICE AT **2000 PTO RPM.** DETERMINE THE METHOD OF ENGAGING THE PTO BY CABLE, ELECTRIC AIR, ELECTRIC HYDRO OR LEVER. **MAXIMUM PTO ENGAGEMENT SPEED SHOULD BE UNDER 1000 ENGINE RPM.**
9. THE PTO MUST BE DEDICATED TO THE GENERATOR'S PUMP WITHOUT ANY OTHER ADDITIONAL MECHANICAL OR HYDRAULIC LOADS.
10. AN ELECTRONIC ENGINE SPEED GOVERNOR IS REQUIRED TO REGULATE THE SPEED OF THE ENGINE WHEN THE GENERATOR IS DRAWING LOAD.

9/30/10sh

**PTO TORQUE REQUIREMENTS = GENERATOR**  
**HP X 5252 DIVIDED BY PTO RPM**

**7.5 KW = 17 HP X 5252 @ 800 RPM = 112 FT LBS**

**7.5 KW = 17 HP X 5252 @ 1000 RPM = 89 FT LBS**

**7.5 KW = 17 HP X 5252 @ 1500 RPM = 60 FT LBS**

**10 KW = 23 HP X 5252 @ 800 RPM = 151 FT LBS**

**10 KW = 23 HP X 5252 @ 1000 RPM = 121 FT LBS**

**10 KW = 23 HP X 5252 @ 1500 RPM = 81 FT LBS**

**12 KW = 27 HP X 5252 @ 800 RPM = 177 FT LBS**

**12 KW = 27 HP X 5252 @ 1000 RPM = 142 FT LBS**

**12 KW = 27 HP X 5252 @ 1500 RPM = 95 FT LBS**

**20 KW = 45 HP X 5252 @ 800 RPM = 295 FT LBS**

**20 KW = 45 HP X 5252 @ 1000 RPM = 236 FT LBS**

**20 KW = 45 HP X 5252 @ 1500 RPM = 157 FT LBS**

**15 KW/3P = 34 HP X 5252 @ 800 RPM = 224 FT LBS**

**15 KW/3P = 34 HP X 5252 @ 1000 RPM = 178 FT LBS**

**15 KW/3P = 34 HP X 5252 @ 1500 RPM = 120 FT LBS**

## HOSES

- PRESSURE HOSE:** WE RECOMMEND AN SAE 100R17 TYPE HOSE WITH MINIMUM PRESSURE REQUIREMENTS OF 3500 PSI.
- LOAD SENSING HOSE:** WE RECOMMEND AN SAE 100R17 TYPE HOSE WITH MINIMUM PRESSURE REQUIREMENTS OF 3500 PSI.
- SUCTION HOSE:** WE RECOMMEND AN SAE 100R4 TYPE HOSE. THIS HOSE MUST BE A “WIRE ENFORCED” SUCTION HOSE WITH A MINIMUM PRESSURE OF 250PSI.
- CASE DRAIN HOSE:** WE RECOMMEND AN SAE 100R4 TYPE HOSE.

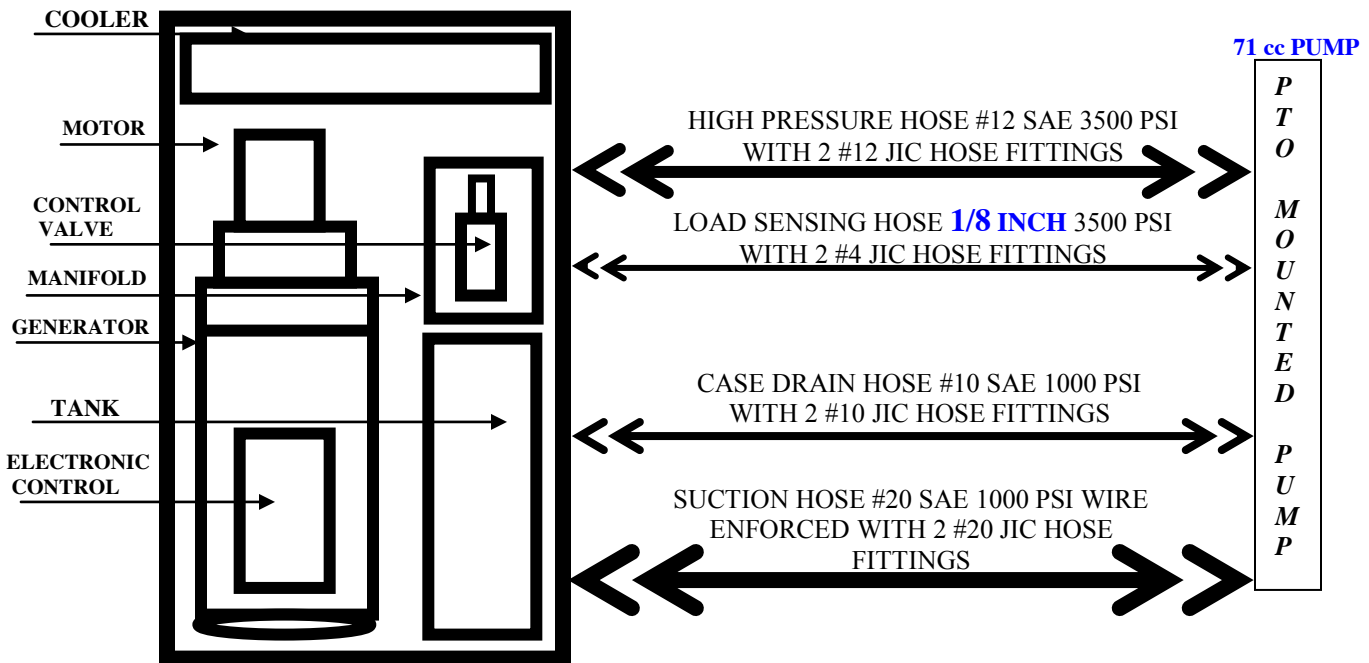
## RECOMMENDATIONS

- MOUNT THE UNIT AT LEAST 12” ABOVE THE PUMP.
- BE SURE TO CLAMP YOUR HOSES TO CHASSIS.
- DO NOT PULL HOSES TOO TIGHTLY. THEY TEND TO FLEX UNDER PRESSURE.
- NEVER USE 90° FITTINGS AT THE PUMP. USE SWEEPING ELBOWS WHENEVER YOU MAKE BENDS. DO NOT LOOP ANY HOSES.
- BE SURE YOUR HOSES ARE CLEAN. IF POSSIBLE, RUN A PLUG THROUGH AND CAP UNTIL READY FOR USE.
- WHEN FILLING UNIT WITH HYDRAULIC OIL, USE AN OIL FILTER. OIL DIRECT FROM A DRUM IS NORMALLY DIRTY.
- UNIT HOLDS 5 GALLONS OF HYDRAULIC FLUID PLUS WHATEVER IS NEEDED TO FILL HOSES, PUMP AND COOLER.
- WE RECOMMEND MERCON / DEXRON III OR EQUIVALENT HYDRAULIC FLUID.

# 12, 14, 20KW SINGLE PHASE AND 15 KW THREE PHASE SELF CONTAINED GENERATORS

## HYDRAULIC HOOK-UP DIAGRAM FROM FIRE-POWER UNIT TO PUMP FOR 12, 14, 20 & 15 KW UNITS

### TOP VIEW



### ADAPTER FITTINGS FOR GENERATOR

- MANIFOLD LOAD SENSE # 6 SAE / # 4 JIC
- MANIFOLD HIGH PRESSURE # 12 SAE / # 12 JIC
- TANK CASE DRAIN # 10 SAE / # 10 JIC
- TANK SUCTION # 20 SAE / # 20 JIC

**NOTE: THE LOAD SENSING SYSTEM IS FACTORY CALIBRATED FOR A 1/8 INCH DIAMETER 12 FOOT HOSE @ 3500 PSI SUPPLIED WITH THE SYSTEM. IF THE HOSE IS TO LONG COIL AND SECURE IT NEATLY. IF YOU REQUIRE A LONGER LINE CONTACT THE FACTORY**

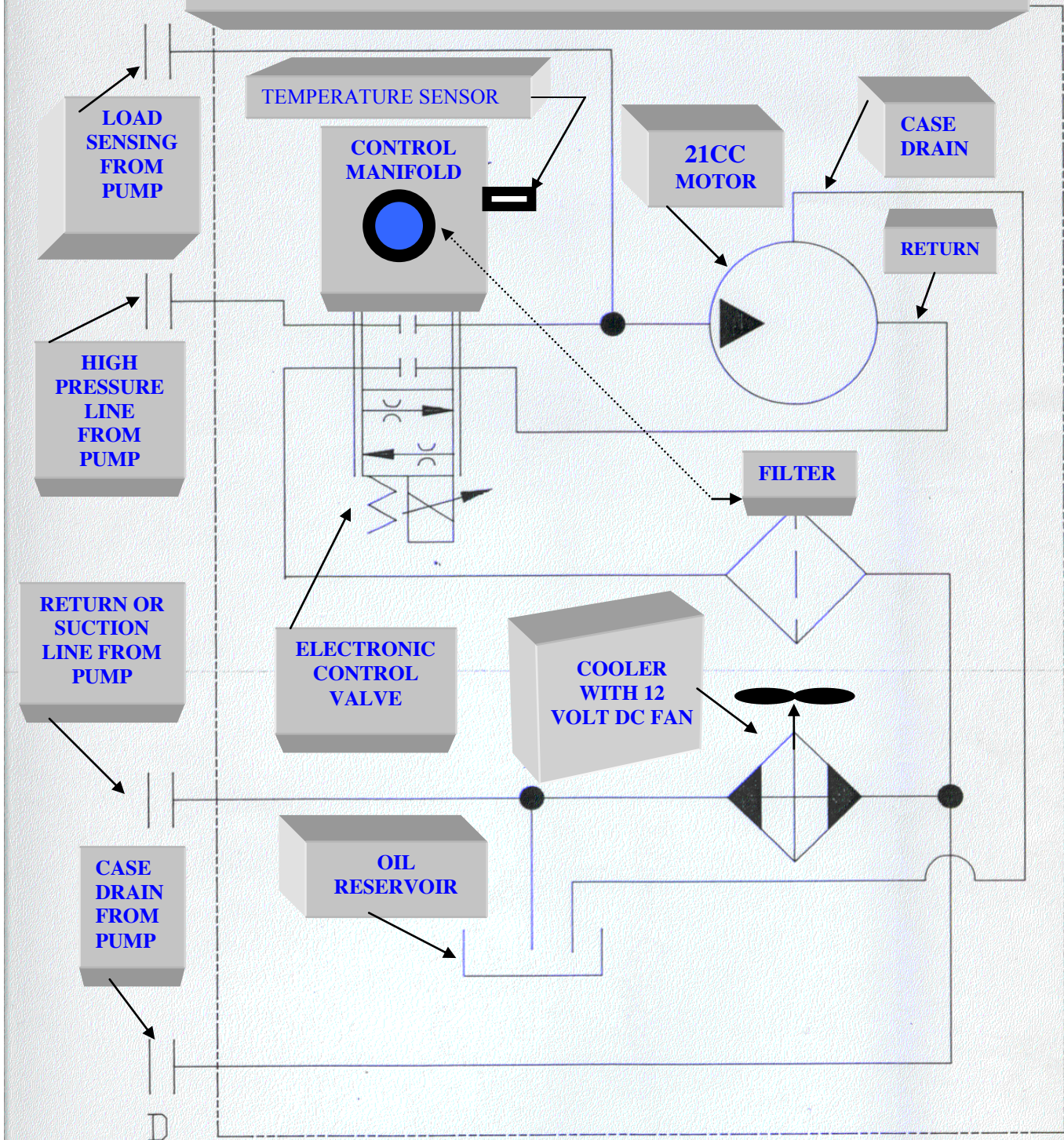
REV-4/19/10 SH

### ADAPTER FITTINGS FOR PUMP

- # 4 SAE / # 4 JIC, LOAD SENSE (1/8 HOSE)
- # 16 SFO CODE 61 FLANGE / # 12 JIC
- # 10 SAE / #10 JIC
- # 32 SFO CODE 61 FLANGE / # 20 JIC



# FIRE-POWER SELF CONTAINED MODIFIED CLOSED LOOP ELECTRO-HYDRAULIC SCHEMATIC DIAGRAM



# **SECTION # 3**

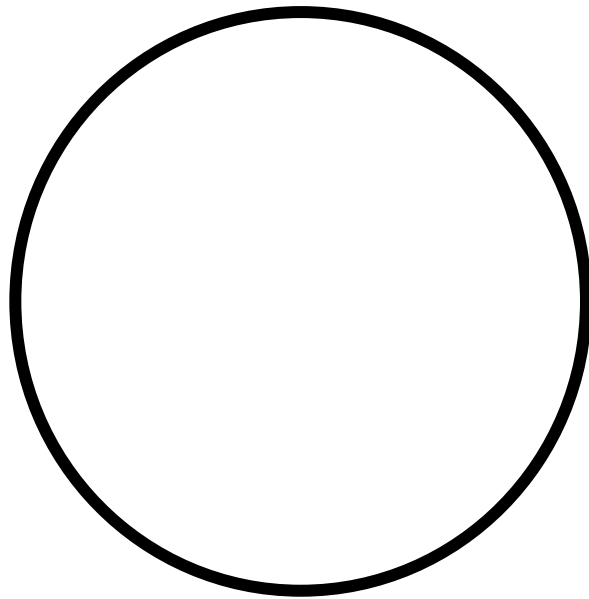
## **AC AND DC ELECTRICAL HOOK-UP AND WIRING DIAGRAMS**

## GENERATOR AC-DC WIRING INSTRUCTIONS

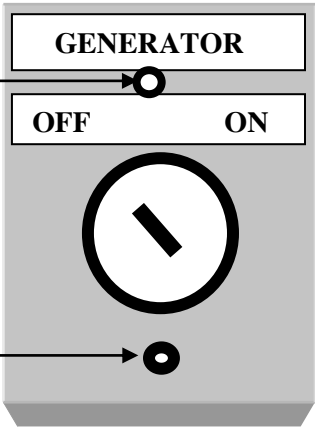
1. REMOVE TOP COVER FROM THE PRE-WIRED SWITCH (SUPPLIED). MOUNT GENERATOR ON OFF SWITCH BOX ON THE CONTROL PANEL UNDER OR NEXT TO THE DIGITAL DISPLAY METER. MOUNT THE HIGH TEMP OIL ALARM UNDER THE GENERATOR ON OFF SWITCH. (SEE NEXT PAGE FOR HOLE SIZES)
2. CONNECT THE #18 GAGE **RED** WIRE FROM THE ON OFF SWITCH TO THE **RED** TAB ON THE HIGH TEMP ALARM. CONNECT THE SECOND #18 GAGE **RED** WIRE TO THE **RED** WIRE ON THE SQUARE CONNECTOR #1 PIN SUPPLIED WITH THE DIGITAL DISPLAY METER. CONNECT THE THIRD 18 GA. **RED** WIRE FROM THE BACK OF THE SWITCH TO THE **RED** WIRE ON THE 3 PIN TRIANGLE CONNECTOR. GROUND THE **BLACK** WIRE FROM THE 3 PIN TRIANGLE CONNECTOR THE WHITE WIRE IS NOT USED. ALLOW ABOUT 6 INCHES FOR A SERVICE LOOP. (SEE INSTRUCTIONS SUPPLIED WITH THE DIGITAL DISPLAY METER)
3. CONNECT THE #18 GAGE **GREEN** AND **BLACK** WIRE FROM THE GENERATOR TO THE **GREEN** AND **BLACK** WIRE ON THE SQUARE 4 WIRE MALE CONNECTOR SUPPLIED WITH THE DIGITAL DISPLAY. CONNECT THE **YELLOW** WIRE FROM THE 4 PIN CONNECTOR TO THE GROUND TERMINAL ON THE ALARM. CONNECT THE # 10 **RED** WIRE WITH BLUE STRIPE FROM THE GENERATOR TO THE (**#10 RED WIRE WITH BLUE STRIPE MARKED TO GENERATOR**) ON THE REAR OF THE ON OFF SWITCH.
4. CONNECT A #10 **RED** WIRE FROM THE REAR OF THE SWITCH DIRECTLY TO THE POSITIVE TERMINAL OF THE 12-VOLT BATTERY USING THE 30 AMP FUSE SUPPLIED. MOUNT THE FUSE AS CLOSE TO THE BATTERY AS POSSIBLE.
5. CONNECT 6 PIN CONNECTOR ON GENERATOR TO METER.  
**CAUTION: DO NOT TURN SWITCH ON! REMOVE THE FUSE UNTIL THE UNIT IS READY FOR START-UP! (SEE THE DETAILED START-UP INSTRUCTIONS IN THIS MANUAL).**

- NOTE:**
- BE SURE OUR GENERATOR BASE PLATE IS GROUNDED TO THE TRUCK FRAME.
  - BE SURE TO HAVE A QUALIFIED ELECTRICIAN MAKE ELECTRICAL CONNECTIONS FROM THE GENERATOR TO THE JUNCTION BOX.

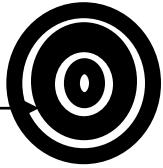
CUT OUT 3.75"  
HOLE TO MOUNT  
DISPLAY METER



REMOVE THE TWO SCREWS  
ON THE FRONT COVER OF  
THE SWITCH, USING A  
SMALL PHILIPS SCREW  
DRIVER.  
LOCATE THE 4 HOLES ON  
THE BACK COVER; DRILL 4  
HOLES FOR 10-32 BOLTS



UNSCREW THE FRONT  
MOUNTING RING, CUT OUT  
A 1 1/8" HOLE INSERT THE  
ALARM THROUGH THE  
BACK OF THE PANEL, AND  
THEN TIGHTEN THE  
MOUNTING RING SECURELY



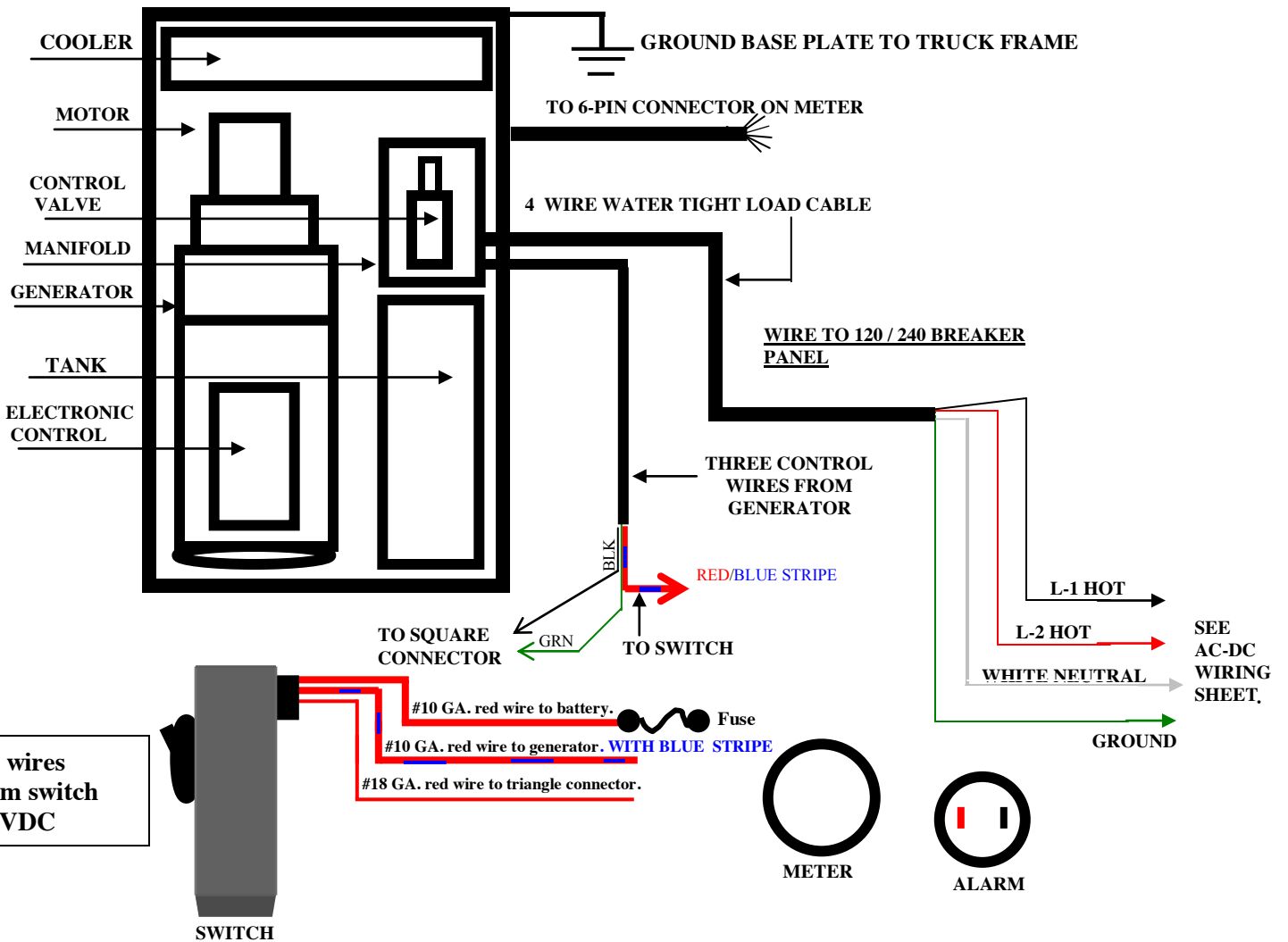
HIGH OIL  
TEMPERATURE  
ALARM 180 F

**PANEL MOUNT FOR ON / OFF SWITCH, AC VOLT, AMP &  
HZ, OIL TEMPERATURE, ALARM AND ELAPSED TIME  
DIGITAL DISPLAY METER**



## 7.5, 10, 12, 14 & 20 KW GENERATOR OVERVIEW ELECTRICAL HOOK-UP AC AND DC

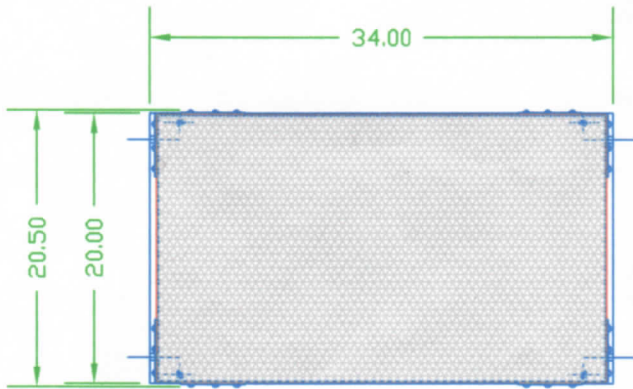
### TOP VIEW



**SEE AC-DC WIRING DIAGRAM**

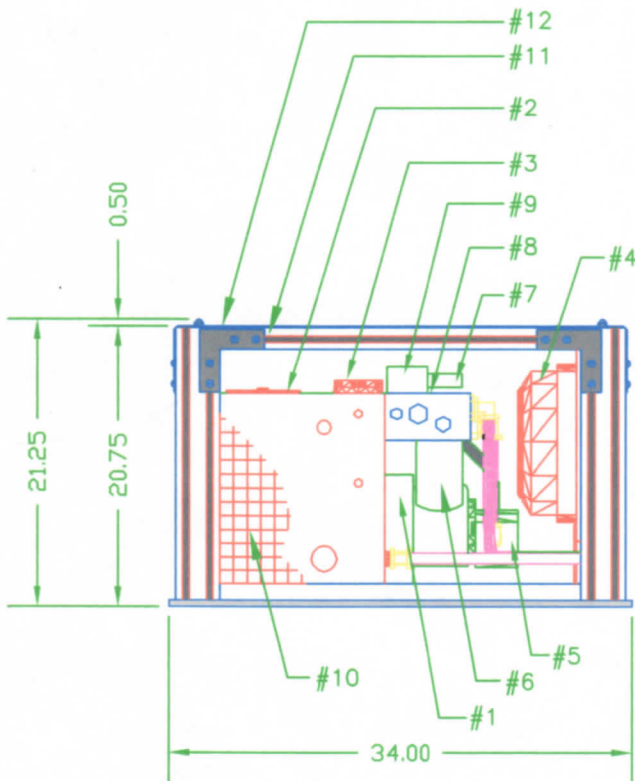
## **SECTION # 4**

# **MECHANICAL DRAWINGS MOUNTING TEMPLATE INSTALLATION AND START-UP**

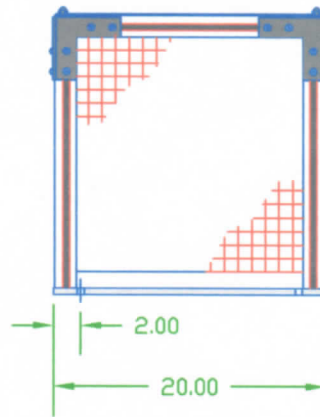


TOP VIEW

#	PART #	DESCRIPTION
1	572461	GENERATOR 7.5 KW
1A	572352A	GENERATOR 10 KW
1B	572352B	GENERATOR 12 KW
2	572393	RESERVOIR / TANK
3	572503	RESERVOIR CAP
4	572399	COOLER
5	572467	HYDRAULIC MOTOR 7.5 KW
5A	572362	HYDRAULIC MOTOR 10 KW
5B	572362	HYDRAULIC MOTOR 12 KW
6	572390	FILTER
7	572391	HYDRAULIC CONTROL VALVE
8	572394	MANIFOLD
9	572435	C.P.U.
10	572502	CAGE MESH
11	572462	CAGE FRAME - RED
11A	572389	CAGE FRAME - YELLOW
12	572434	DIAMOND PLATE TOP



FRONT VIEW



SIDE VIEW

## FABCO GENERATOR'S INC.

1570 KINGS HIGHWAY  
CHESTER, NY 10918

PRODUCT: HYDRAULIC GENERATOR

MODEL NO.

ALL SELF CONTAINED UNITS

DESIGNED BY:  
R.F.

APPROVED BY:  
R.F.

DRAWN BY:  
T.M.

DRAWING #:

DATE:  
10/1/02

PROJECT #:

SCALE:  
AS SHOWN

572500

PAGE OF

## INSTALLATION AND START-UP PROCEDURE

**\*BE SURE PUMP ROTATION AND PTO ROTATION IS CORRECT, SEE PUMP SPEC IN THIS MANUAL. RIGHT OR CW PUMPS ARE COMMON, LEFT OR CCW ARE NOT. THE PTO SHOULD ROTATE IN THE OPPOSITE DIRECTION OF THE PUMP. THE GENERATOR SHOULD BE MOUNTED AT LEAST 1 FOOT HIGHER THAN THE PUMP. DO NOT MOUNT GENERATOR CLOSER THAN 3 FEET FROM A RADIO ANTENNA. USE A MINIMUM SIZE OF 3/8-INCH CASE HARDENED BOLTS TO MOUNT THE GENERATOR TO THE TRUCK BODY.**

MAKE SURE THERE IS PROPER VENTILATION AND AIR CIRCULATION FOR THE SYSTEM. ALLOW AT LEAST (4) INCHES CLEARANCE AT EACH END OF THE GENERATOR FOR THE OIL COOLER AIR DISCHARGE. DO NOT RESTRICT AIR DISCHARGE (LOUVERED DOORS SHOULD NOT BE CONSIDERED PROPER VENTILATION).

CONNECT THE PUMP TO THE PTO. THIS IS EITHER A DIRECT MOUNT OR A DRIVE SHAFT MOUNT. FOR A DRIVE SHAFT MOUNT, BE SURE THE PUMP IS WELL SUPPORTED. ALSO, THE PUMP SHOULD BE ISOLATED FROM THE CHASSIS TO AVOID VIBRATION, NOISE, OR POSSIBLE DAMAGE TO THE PUMP.

ALWAYS POSITION THE PUMP WITH CASE DRAIN ON TOP OR 45 DEGREES EITHER SIDE FROM TOP CENTER. FAILURE WILL OCCUR IF CASE DRAIN IS NOT POSITIONED WITHIN 45 DEGREES FROM THE LEFT OR RIGHT SIDE OF TOP CENTER. CONNECT THE 4 HYDRAULIC HOSES TO THE GENERATOR AND PUMP.

REMOVE THE DIAMOND PLATE TOP COVER **FILL CASE DRAIN HOSE FROM THE GENERATOR END TO PRIME THE PUMP WITH FILTERED DEXRON III HYDRAULIC OIL FIRST**. RE-CONNECT HOSES AND THEN FILL THE TANK WITH 10 MICRON FILTERED DEXRON III OIL. (THE HYDRAULIC OIL FROM QUARTS AND DRUMS ARE NOT CLEAN ENOUGH)

INSERT THE 30 AMP 12-VOLT DC FUSE **WITH START SWITCH IN THE OFF POSITION**. ENGAGE PTO WITH THE ENGINE RUNNING IDLE TURN START SWITCH TO THE ON POSITION; CHECK THE DIGITAL METER FOR VOLTAGE AND FREQUENCY DISPLAY. **LET THE UNIT RUN FOR LESS THAN 5 MINUTES** CHECK FOR LEAKS. YOU WILL HEAR SOME LOW NOISES FROM PUMP AND MOTOR WHILE THE AIR IS PURGING OUT FROM THE SYSTEM.

TOP-OFF TANK AND RE-START, SET ENGINE GOVERNOR AT OPERATING SPEED. APPLY LOAD IN SMALL STEPS UNTIL FULL OPERATING LOAD IS REACHED. CHECK FOR LEAKS, NOISE AND OIL LEVEL, LET UNIT RUN AT LOAD FOR ABOUT ½ HOUR. RE-CHECK OIL LEVEL. NOW THE FIRE-POWER GENERATOR IS READY FOR OPERATION. REPLACE THE DIAMOND PLATE TOP COVER.



# **SECTION # 5**

## **MAINTENANCE, TROUBLE SHOOTING, MAINTENANCE LOG & TEST REPORTS**

## SYSTEM MAINTENANCE

THERE IS LITTLE MAINTENANCE REQUIRED WITH A FIRE-POWER GENERATOR. IT CONSISTS PRIMARILY OF CHANGING THE OIL AND FILTER AND PERFORMING A VISUAL INSPECTION OF THE ENTIRE GENERATOR SYSTEM. WITH A LITTLE MAINTENANCE AND PROPER INSTALLATION, THE SYSTEM SHOULD OPERATE TROUBLE FREE FOR 15 YEARS OR MORE.

THE HYDRAULIC FLUID AND THE FILTER SHOULD BE CHANGED EVERY 1,000 HOURS OR 5 YEARS, WHICHEVER OCCURS FIRST OR IF THE HYDRAULIC OIL BECOMES DISCOLORED, BURNT SMELLING OR BECOMES ABRASIVE TO THE TOUCH. ANY OF THESE CONDITIONS ARE AN INDICATION OF A SYSTEM PROBLEM AND STEPS SHOULD BE TAKEN TO DIAGNOSE THEM.

DRAIN OIL FROM THE TANK BY REMOVING THE LARGE SUCTION LINE FROM THE PUMP. CAP THE HOSE END, UNSCREW THE FILTER AND **(REPLACE WITH THE SAME TYPE)** FILL THE NEW FILTER WITH CLEAN HYDRAULIC FLUID AND SCREW IT TO THE FILTER HEAD. RE-CONNECT SUCTION LINE AND RE-FILL THE TANK WITH FILTERED OIL. RE-START THE SYSTEM AND RUN THE ENGINE IDLE WITH NO LOAD APPLIED TO THE GENERATOR UNDER FIVE MINUTES TO PURGE ANY AIR OUT OF THE SYSTEM. SHUT UNIT DOWN AND TOP OFF THE TANK BEFORE RESUMING NORMAL OPERATION.

ENTER OIL AND FILTER CHANGE IN THE MAINTENANCE LOG PROVIDED ON THE LAST PAGES CONTAINED IN THIS MANUAL.

VISUALLY INSPECT THE ELECTRICAL WIRING **FOR CORROSION AND LOOSE OR BAD CONNECTIONS.**

MAKE SURE THAT THE GENERATOR HAS NOT BECOME SEVERELY CONTAMINATED WITH MUD OR GREASY SOIL BUILDUP. THIS COULD CONSTRICT AIRFLOW AND CAUSE PREMATURE GENERATOR FAILURE. USE AN AIR-HOSE AND BLOW OUT THE HEAT EXCHANGER FINS AND THE INSIDE OF THE GENERATOR IF THERE IS BUILDUP OF DIRT OR OTHER CONTAMINATES. **DO NOT USE WATER TO CLEAN THE INSIDE OF THE GENERATOR.**

IF THE GENERATOR HAS BECOME SUBMERGED IN WATER, THE WINDINGS **MUST** BE AIR DRIED BEFORE REUSING.

CHECK THE FITTINGS FOR LOOSE CONNECTIONS OR ANY LEAKS. INSPECT HOSES FOR BULGES, CHAFFING, OR DAMAGE. REPLACE IMMEDIATELY IF DEFECTS ARE FOUND.

CHECK THAT THE PUMP IS SECURELY MOUNTED TO THE PTO OR DRIVE SHAFT. ENSURE THAT THERE ARE NO LEAKS FROM THE FITTINGS OR THE FRONT SEAL. A LEAK AT THE FRONT SEAL WILL POSSIBLY INDICATE A BAD ALIGNMENT OR THE NEED FOR VIBRATION ISOLATORS. IF THE LEAK AT THE FRONT SEAL IS CAUGHT EARLY ENOUGH AND THE PROBLEM IS CORRECTED, IT CAN ELIMINATE EXPENSIVE REPAIRS AND DOWN TIME.

## TROUBLE SHOOTING

### SYMPTOM

### POSSIBLE CAUSE

<b>GENERATOR DOES NOT START</b>	<b>CHECK 12 VOLT 30 AMP INLINE DC FUSE</b> <b>CHECK FOR LOOSE OR BROKEN WIRES</b> <b>TURN START SWITCH OFF, WAIT 10 SECONDS AND TURN SWITCH ON. (THIS RESETS THE SYSTEM)</b>
<b>OIL TEMP ALARM ACTIVATES</b>	<b>CHECK HYDRAULIC FLUID LEVEL IN TANK</b> <b>CHECK HOSES AND FITTINGS FOR LEAKS</b> <b>CHECK HOSES FOR CRIMPS CHANGE OIL FILTER</b> <b>CHECK IF COOLING FAN IS RUNNING</b> <b>CHECK FOR AIR FLOW BLOCKAGE</b>
<b>NO VOLTAGE OR AMPS ON METER DISPLAY</b>	<b>CHECK MAIN CIRCUIT BREAKER</b> <b>CHECK FOR LOOSE OR BROKEN WIRES AND CONNECTORS ON METER AND BREAKER PANEL</b>
<b>LOW VOLTAGE OR FREQUENCY</b>	<b>CHECK ENGINE SPEED GOVERNOR</b>
<b>DIGITAL DISPLAY METER DOESN'T LIGHT</b>	<b>CHECK 12 VOLT DC 30 AMP INLINE FUSE</b> <b>CHECK FOR LOOSE OR BROKEN WIRES CONNECTED TO METER</b>
<b>AMPS OR VOLTAGE BLINKS ON AND OFF ON METER DISPLAY</b>  REV-4-2/28/05 G. B	<b>REDUCE LOAD, GENERATOR COULD BE OVERLOADED</b> <b>CHECK FOR FRAYED OR BROKEN LOAD WIRES</b>